



JCI 1200LS Plant

An Astec Company

Standard Weights and Dimensions:

- Length
- Height
- Width

- Weight
- Dual Axle
- Pin

Operation:

- 41' (12.5m)
- 13'6" (4.1m)
- 10'5" (3.2m)

- 50,000lbs
- 27,500lbs
- 22,500lbs

Transport:

- 41' (12.5m)
- 13'6" (4.1m)
- 8' (2.4m)

NOTE: UNIT HAS 5'1" AXLE SPACING.

Standard Plant Components:**JCI 1200LS Cone Crusher**

- Heavy Duty Base Frame with 360° Reinforcing Ring
- 2 Piece Cone Head with High Strength 4343 Steel for Shaft
- Spiral Bevel Gears for Increased Horsepower Capacity
- Easy Shim Adjustments for CSS
- Interchangeable Standard / Fine Chamber Configurations
- Cone Head Anti-spin Brake Reduces Sliding Abrasion
- Modular Tramp Iron Relief Manifold beam Limits Leak Points and lifts off in one piece
- Self Contained Oil Reservoir
- All Roller Bearing Design

Under Crusher Rear Discharge Conveyor:

- 15 HP TEFC Electric Motor
- Vulcanized Lagged Head Pulley
- Self Cleaning wing Tail Pulley
- Dodge SCM Bearings
- CEMA C Sealed Idlers at 36" Spacing
- 3 Ply Belt
- Conveyor length – 29'
- Conveyor width – 42"
- Conveyor Discharge Height – 7'6"

Motor Drive Standard Features:

- 200 HP TEFC 1200 RPM Weg Motors
- Operating RPM Range 750-950

Walkways and Platform:

- Crusher Walkway with Skywalk Floor, 4" Toe Boards
- 42" Solid Handrails and Access Ladder

Under Crusher Hopper

- AR lined
- Maintenance Access Door

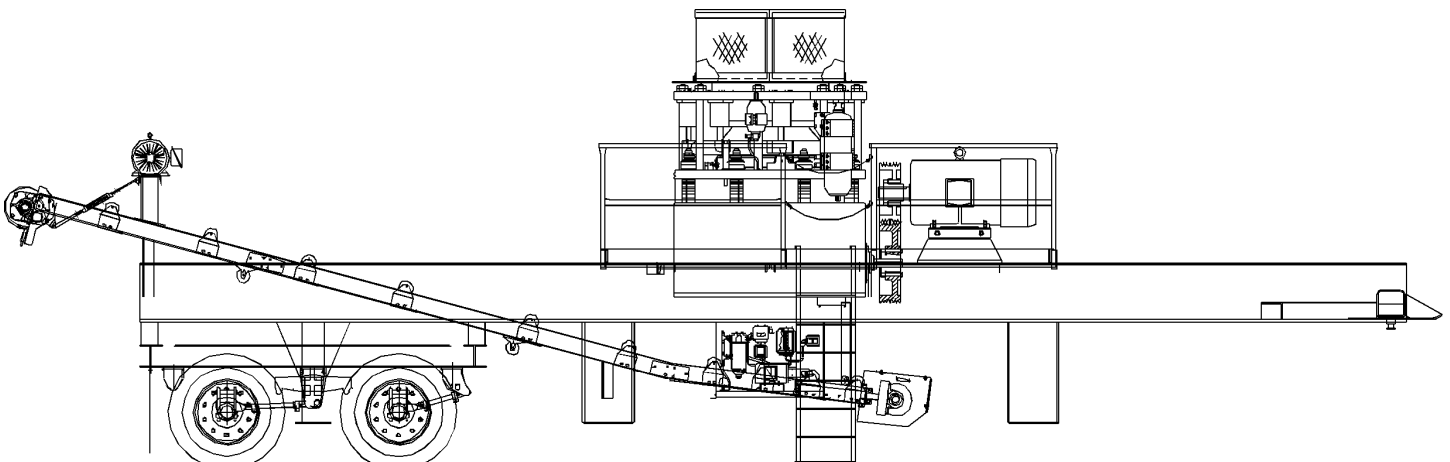
Paint:

- Rust Inhibitor Primer and Finish Coat

Optional Features:

- Switchgear
- Telescoping Support Leg Option
- Hydraulic Leveling
- Toshiba Motor

****PLANT SPECIFICATIONS SUBJECT TO CHANGE WITHOUT NOTICE****



For additional information contact:

JCI – 86470 Franklin Blvd. – Eugene, Oregon 97405 – Phone: 800-314-4656 Fax: 541-736-1424