

872 P

6WD Motor Grader



JOHN DEERE





MADE TO GRADE AND LEAD THE WAY

Over the past six decades, John Deere motor graders have built a reputation for outstanding machine control and effortless grading precision. The innovative ideas of our customers have led to a legacy of industry firsts. Performance boosters enabled with standard electrohydraulic (EH) controls like exclusive automation features. The choice between dual-joystick or fingertip controls. Grade-control solutions including fully integrated SmartGrade. And a tall mainframe that smoothly shoulders large loads and clears obstacles. Its optimized machine specs, reliable capability, and updated cab amenities that put operator comfort front and center can help take your productivity to the next level.



Capable control

Six-wheel drive is adjustable on the fly, enabling the 872 P-Tier to capably traverse difficult jobsite conditions. Six-wheel-drive controls are effortlessly easy to operate.

Power that checks and balances

Balanced engine horsepower, torque, and blade pull produce generous force and lugging ability, to deliver more power to the ground, easily pull through tough spots, or tackle steep hills. John Deere motor graders are designed with optimal weight distribution over each axle, for outstanding stability and grading performance.

Work your way

Armrest-mounted EH controls help minimize effort and fatigue. Opt for state-of-the-art dual-joystick or fingertip controls that mimic the conventional control pattern. A field kit allows you to easily swap between the two. A steering wheel is also included.

All about the operator

Modern cab features next-generation eight-inch touchscreen display, Automatic Temperature Control system, and centralized machine-function switches, all close at hand. Ergonomic heated/ventilated seat with adjustable armrests is designed for all-day comfort. Enhanced right-hand console tilts for convenient access and storage.

Unlimited grade control

Industry-first John Deere SmartGrade Motor Graders are fully integrated and calibrated from the factory, arriving at your jobsite ready to work. In-cylinder position sensing allows the machine to stay on grade no matter what blade pitch, articulation angle, or circle offset you're running, without the limitations imposed by masted systems.

Now you see it

High-resolution rearview camera with dedicated in-cab monitor comes standard. Optional dual front alley camera with two in-cab displays presents an overview of the street ahead, improving operator awareness.



**ENHANCED
OPERATOR
AMENITIES**

**FACTORY EQUIPPED
WITH OPTIONAL
SMARTGRADE™**

Beyond beacons

Optional new low-profile roof beacons enhance jobsite visibility. Optional add-on seat-belt-minder beacon is also available.

Count on cross slope

Standard cross slope maintains slopes by automatically adjusting one side of the blade while the operator controls the other. Cross slope can also be operated in “manual mode” as a slope meter. Automated cross slope simplifies holding a consistent slope by reducing operation to a single lever. Both dual-joystick controls and fingertip armrest controls come equipped with cross slope and can be easily upgraded to 3D SmartGrade.

Durable details

High-edge paint and powder-coated latches on service doors step up durability and help protect the machine exterior from wear and damage.

Uptime is everything

All daily service points, including fuel and diesel exhaust fluid (DEF), are grouped on the left side of the machine for convenient ground-level access. On the right, periodic-service points including the engine oil, hydraulic, transmission, differential, and fuel filter bank are within easy reach. Cooling package minus stacked coolers plus hinged swing-out fan simplifies core cleanout. Variable-speed hydraulically driven fan[†] runs only as fast or as often as needed, for conservation of power and fuel plus quiet operation.

[†]Standard for EPA Final Tier 4/EU Stage V; optional for EPA Tier 3/EU Stage IIIA.

Positioned for precision

Encoded sensors within the hydraulic cylinders help position them for maximum precision and force, boosting efficiency. The sensors also deliver diagnostics to catch potential system issues.

Premium circle productivity

Featuring a fully sealed bearing and pinion that run smooth and quiet, the industry-leading design of the optional premium circle reduces operating costs while delivering 40-percent more torque and 15-percent more speed than a traditional circle. The premium circle eliminates having to compensate for wear in the circle and improves accuracy when using a grade-control system — especially with John Deere SmartGrade. And greasing intervals of only four zerks every 500 hours make the premium circle easy to maintain. Durable dual-input circle is also available.

Bad-weather warrior

Available as a factory option, the John Deere Path mapping solution enhances efficiency and precision in snow-removal applications. Paired with SF-RTK for repeatable accuracy within one inch, operators get a better sense of road edges and boundaries in winter weather conditions.

Connected machines

John Deere construction equipment comes with in-base connectivity — free from subscriptions or annual renewals. Analyze critical machine data, track utilization, review diagnostic alerts, and more from **the John Deere Operations Center™**. The Operations Center also enables John Deere Connected Support™, which uses data from thousands of connected machines to proactively identify issues and help keep you running. With your approval, your dealer can also remotely monitor machine health, diagnose problems, and even update machine software without a trip to the jobsite.*

*Availability varies by region and product. Options not available in every country.



PUT INTELLIGENCE TO WORK

With automation features including in-base Auto-Articulation, Blade Flip, and Machine Presets, it's push-button easy to set yourself apart from your competition:

- **Auto-Articulation** lets the operator increase the maneuverability of coordinated steering and articulation while using only the joystick-steering function to steer and operate other necessary functions without manually articulating the machine.
- Use **Blade Flip** to automatically mirror the circle to a preset angle.
- Easily prepare the machine for transport with **Machine Presets**. Stow the blade and ripper, turn on the lights including the hazards, and enable Auto-Shift with one push-button press.

Add these optional automation features to further enhance machine operation:

- **Auto-Shift PLUS** allows operators to move the machine and work without having to use the inching pedal.
- **Auto-Gain for Cross Slope** automatically adjusts gain settings based on ground speed to maximize performance.
- **Machine-Damage Avoidance*** reduces the risk of blade damage to machine structures during any operation.
- **Auto-Pass*** makes grading easy by automatically placing the blade on the ground and activating the grade-control system (when equipped) at the start of the pass, then automatically raising and resetting the blade at the end of it.

*Free 500-hour demo of Machine-Damage Avoidance and Auto-Pass options not available in all countries; see your local John Deere dealer for details.



Engine		872 P-TIER	
Manufacturer and Model	John Deere PowerTech™ PSS 9.0L	John Deere PowerTech™ Plus 9.0L	
Non-Road Emission Standard	EPA Final Tier 4/EU Stage V	EPA Tier 3/EU Stage IIIA	
Cylinders	6	6	
Displacement	9.0L (548 cu. in.)	9.0L (548 cu. in.)	
Net Engine Power			
Gear 1	183 kW (245 hp)	183 kW (245 hp)	
Gear 2	190 kW (255 hp)	190 kW (255 hp)	
Gear 3	201 kW (270 hp)	201 kW (270 hp)	
Gear 4	205 kW (275 hp)	205 kW (275 hp)	
Gear 5	212 kW (285 hp)	209 kW (280 hp)	
Gear 6	220 kW (295 hp)	209 kW (280 hp)	
Gear 7	224 kW (300 hp)	209 kW (280 hp)	
Gear 8	224 kW (300 hp)*	209 kW (280 hp)*	
Net Peak Torque	1472 Nm (1,086 lb.-ft.)	1330 Nm (981 lb.-ft.)	
Net Torque Rise	46%	48%	
Aspiration	Series turbocharged, charge-air cooled	Turbocharged, charge-air cooled	
Lubrication	Full-flow spin-on filter and integral cooler	Full-flow spin-on filter and integral cooler	
Air Cleaner With Restriction Indicator	Dual element, dry	Dual element, dry	
*6WD not available.			
Cooling			
Engine Coolant, Extended Life, Rating	-37 deg. C (-34 deg. F)		
Powertrain			
6-Wheel Drive	Automatic dual-path hydrostatic drive; increases tractive effort and front-end control; includes separate left and right systems with variable-displacement pumps, axial-piston wheel motors, and freewheel at transport speeds; operator-selectable 15-position rotary aggressiveness control and inching capability down to 0 mph; precision mode (propelled by front wheels only)		
Effective Gears	1-7 forward and reverse		
Precision Mode			
Effective Gears	1-3 forward only		
Operating Speeds	0.4-8.0 km/h (0.25-5.0 mph)		
Hydrostatic Pumps (2 each)	60 cm ³ (3.7 cu. in.)		
Wheel Motors	60 cm ³ (3.7 cu. in.)		
Final Reduction	38.7:1		
Transmission	Direct-drive John Deere PowerShift Plus™, modulated shift-on-the-go, Event-Based Shifting (EBS), inching pedal; independent transmission reservoir with separate filtration and cooling system		
Gears			
Forward	8		
Reverse	8		
Maximum Travel Speeds	<i>No tire slip at 2,180 rpm, 17.5-R25 tires</i>	Maximum Travel Speeds (continued)	<i>No tire slip at 2,180 rpm, 17.5-R25 tires</i>
Gear 1	4.0 km/h (2.5 mph)	Gear 5	16.7 km/h (10.4 mph)
Gear 2	5.6 km/h (3.5 mph)	Gear 6	23.2 km/h (14.5 mph)
Gear 3	7.9 km/h (4.9 mph)	Gear 7	32.1 km/h (20.0 mph)
Gear 4	10.9 km/h (6.8 mph)	Gear 8	45.0 km/h (28.0 mph)
Front Axle	Heavy-duty welded fabrication		
Oscillation (total)	32 deg.		
Wheel Lean Angle (each direction)	20 deg.		
Differentials	Spiral bevel; hydraulically actuated, clutch type can be applied on-the-go; selectable manual or automatic differential lock		

Images and descriptions are for general information only. Some illustrations may depict product options or accessories NOT AVAILABLE in all regions or may require modifications to meet local regulations. Images of equipment models may be digitally or AI generated, are for illustration purposes only, and may not reflect actual products, features, options, or attachments. Equipment availability may be limited. Net engine power is with standard equipment including air cleaner, exhaust system, alternator, and cooling fan at test conditions specified per ISO 9249. No derating is required up to 3050-m (10,000 ft.) altitude. Specifications and designs are subject to change without notice and, where applicable, are in accordance with SAE standards. Unless otherwise noted, specifications are based on a unit with standard equipment: 175 R 635-mm (25 in.) L2, Radial tires; and 4.27-m x 688-mm x 25-mm (14 ft. x 27 in. x 1 in.) high-strength, wear-resistant moldboard with 152-mm x 16-mm (6 in. x 5/8 in.) Dura-Max® through-hardened-steel cutting edges. Weights include lubricants, coolants, full fuel tank, and 79-kg (175 lb.) operator. For complete details, contact your John Deere dealer.

Powertrain <i>(continued)</i>		872 P-TIER
Steering (all models include steering wheel)	All-hydraulic power-frame articulation for maneuverability and productivity; crab steering reduces side drift, positions tandems on firm ground, and increases side-slope stability; return-to-straight control included on electrohydraulic (EH)	
Turning Radius (front steer and articulation)	7.21 m (284 in.) (23 ft. 8 in.)	
Articulation (both right and left)	22 deg.	
Final Drives	Inboard-mounted planetary sealed in cooled, filtered oil	
Brakes	Foot-controlled, hydraulically operated, multiple wet-disc brakes sealed in pressurized, cooled, filtered oil; both independent systems effective on all 4 tandem wheels	
Primary and Secondary Brakes	Hydraulically actuated, inboard of tandem pivot, self-adjusting, sealed in cooled and filtered oil, multi-disc (ISO 3450)	
Parking Brake	Automatically spring applied, hydraulically released, oil cooled, self-adjusting (ISO 3450)	
Hydraulics		
Type	Closed-center, pressure-compensated load-sensing (PCLS), variable-displacement piston pump	
Maximum Pump Flow	218 L/min. (57.5 gpm)	
Maximum System Pressure	18 961 kPa (2,750 psi)	
Pump Displacement	90 cm ³ (5.5 cu. in.)	
Blade Function		
All-hydraulic, industry-standard lever placement of blade-function controls; includes float position; 7 discrete saddle positions		
Blade Range		
Lift Above Ground	452 mm (17.8 in.)	
Blade Side Shift (right or left)	683 mm (26.9 in.)	
Pitch at Ground Line		
Forward	42 deg.	
Back	5 deg.	
Shoulder Reach Outside Wheels (frame straight, right or left)	2329 mm (91.7 in.) (7 ft. 8 in.)	
Bank Cut Angle (right or left)	90 deg.	
Blade Pull		
At Maximum Operating Weight	22 453 kg (49,500 lb.)	
Electrical		
Solid-state load center and sealed-switch module	<i>EPA Final Tier 4/EU Stage V</i>	<i>EPA Tier 3/EU Stage IIIA</i>
Voltage	24 volt	24 volt
Number of Batteries	2	2
Battery Capacity	1,400 CCA	1,400 CCA
Reserve Capacity	440 min.	440 min.
Amp-Hour Rating	224 amp-hour	224 amp-hour
Base Alternator Rating	300 amp	130 amp
Lights	Driving lights; 2 high- and 2 low-beam halogen headlights; front and rear LED turn signals and marker lights; LED brake and hazard warning lights	
Mainframe		
Type	Welded box construction	
Width (minimum)	307 mm (12.1 in.)	
Height (minimum)	307 mm (12.1 in.)	
Thickness		
Side	16 mm (0.63 in.)	
Top and Bottom Plate	30 mm (1.17 in.)	

Images and descriptions are for general information only. Some illustrations may depict product options or accessories NOT AVAILABLE in all regions or may require modifications to meet local regulations. Images of equipment models may be digitally or AI generated, are for illustration purposes only, and may not reflect actual products, features, options, or attachments. Equipment availability may be limited. Net engine power is with standard equipment including air cleaner, exhaust system, alternator, and cooling fan at test conditions specified per ISO 9249. No derating is required up to 3050-m (10,000 ft.) altitude. Specifications and designs are subject to change without notice and, where applicable, are in accordance with SAE standards. Unless otherwise noted, specifications are based on a unit with standard equipment; 175 R 635-mm (25 in.) L2, Radial tires; and 4.27-m x 688-mm x 25-mm (14 ft. x 27 in. x 1 in.) high-strength, wear-resistant moldboard with 152-mm x 16-mm (6 in. x 5/8 in.) Dura-Max® through-hardened-steel cutting edges. Weights include lubricants, coolants, full fuel tank, and 79-kg (175 lb.) operator. For complete details, contact your John Deere dealer.

872 P-TIER

Draft Frame (drawbar)		872 P-TIER
Welded box construction machined for flatness with double ball-and-socket pivot connection		
Circle		
Welded construction, heat-treated, machined for flatness		
	<i>Standard Circle</i>	<i>Premium Circle</i>
Circle Diameter	1524 mm (60 in.)	1524 mm (60 in.)
Rotation	360 deg.	360 deg.
Surface	Quick-change bronze or nylon wear inserts	Sealed and lubricated roller element slewing bearing
Pinion/Ring-Gear Connection	Adjustable backlash and open for serviceability	No adjustment; fully sealed and lubricated
Drive	Hydraulic motor and worm gear with positive lock	Hydraulic motor and worm gear with positive lock
Slip Clutch	Option	Standard
Circle Side Shift		
Right	787 mm (31 in.)	787 mm (31 in.)
Left	787 mm (31 in.)	787 mm (31 in.)
Moldboard		
High-strength, pre-stressed for higher strength, wear-resistant, high-carbon steel and reversible end bits; blade side-shift wear system includes quick-change replaceable wear inserts and quick-adjust jackscrew system		
Base Length	4.27 m (168 in.) (14 ft. 0 in.)	
Height (measured along arc, including cutting edge)	686 mm (27 in.)	
Thickness	25 mm (1 in.)	
Cutting Edge		
Dura-Max™ through-hardened steel edge		
Thickness	19 mm (0.75 in.)	
Width	203 mm (8 in.)	
Scarifiers		
	<i>Front</i>	<i>Mid-mount</i>
Type	V-type toolbar with 2-pitch positions and hydraulic float	Radial linkage, with NeverGrease™ pin joints
Width of Cut	1.20 m (48.0 in.) (4 ft. 0 in.)	1.19 m (46.7 in.) (3 ft. 11 in.)
Number of Shanks/Teeth	5 (maximum capacity 9)	11
Lift Above Ground	589 mm (23.2 in.)	335 mm (13.2 in.)
Maximum Depth	335 mm (13.2 in.)	325 mm (12.8 in.)
Shank		
Spacing	146 mm (5.75 in.)	117 mm (4.6 in.)
Size	25 x 76 mm (1 x 3 in.)	25 x 76 mm (1 x 3 in.)
Front Lift Group (Balderson-style)		
Parallel linkage, mechanical pins, and hydraulic float		
Lift		
Above Ground (top of tube)	1864 mm (73.4 in.)	
Range	988 mm (38.9 in.)	
Front Dozer Blade		
Parallel linkage and hydraulic float		
Lift Above Ground	706 mm (27.8 in.)	

Images and descriptions are for general information only. Some illustrations may depict product options or accessories NOT AVAILABLE in all regions or may require modifications to meet local regulations. Images of equipment models may be digitally or AI generated, are for illustration purposes only, and may not reflect actual products, features, options, or attachments. Equipment availability may be limited. Net engine power is with standard equipment including air cleaner, exhaust system, alternator, and cooling fan at test conditions specified per ISO 9249. No derating is required up to 3050-m (10,000 ft.) altitude. Specifications and designs are subject to change without notice and, where applicable, are in accordance with SAE standards. Unless otherwise noted, specifications are based on a unit with standard equipment: 175 R 635-mm (25 in.) L2, Radial tires; and 4.27-m x 688-mm x 25-mm (14 ft. x 27 in. x 1 in.) high-strength, wear-resistant moldboard with 152-mm x 16-mm (6 in. x 5/8 in.) Dura-Max® through-hardened-steel cutting edges. Weights include lubricants, coolants, full fuel tank, and 79-kg (175 lb.) operator. For complete details, contact your John Deere dealer.

Rear Ripper/Scarifier		872 P-TIER	
Parallel linkage, with NeverGrease pin joints, hydraulic float, and integrated hitch			
	<i>Ripper</i>	<i>Scarifier</i>	
Width of Cut	2.21 m (87.2 in.) (7 ft. 3 in.)	2.18 m (86.0 in.) (7 ft. 2 in.)	
Number of Shanks/Teeth	3 (maximum capacity 5)	None standard (maximum capacity 9)	
Lift Above Ground	602 mm (23.7 in.)	810 mm (31.9 in.)	
Maximum Depth	426 mm (16.8 in.)	323 mm (12.7 in.)	
Force			
Penetration	10 483 kg (23,110 lb.)	—	
Pry-Out	14 843 kg (32,724 lb.)	—	
Shank Size	61.5 x 133 mm (2.42 x 5.25 in.)	25 x 76 mm (1 x 3 in.)	
Operator Station			
Low-profile cab with ROPS (ISO 3471-2008) and FOPS (ISO 3449-2005)			
Tires/Wheels			
	<i>17.5R25 on 356-mm (14 in.) Rim</i>	<i>550/65R25 on 432-mm (17 in.) Rim</i>	<i>20.5R25 on 432-mm (17 in.) Rim</i>
Wheel Tread on Ground	2.16 m (85.0 in.)	2.21 m (87.0 in.)	2.32 m (92.0 in.)
Ground Clearance (front axle)	587 mm (23.1 in.)	612 mm (24.1 in.)	640 mm (25.2 in.)
Serviceability			
Refill Capacities	<i>EPA Final Tier 4/EU Stage V</i>	<i>EPA Tier 3/EU Stage IIIA</i>	
Fuel Tank	397.0 L (105 gal.)	416.5 L (110 gal.)	
Diesel Exhaust Fluid (DEF) Tank	22.5 L (6 gal.)	—	
Cooling System	55.0 L (14.5 gal.)	48.5 L (12.8 gal.)	
Engine Oil With Filter	28.4 L (7.5 gal.)	28.0 L (7.4 gal.)	
Transmission Fluid	23.5 L (6.2 gal.)	28.4 L (7.5 gal.)	
Differential Housing	38.0 L (10 gal.)	38.0 L (10 gal.)	
Tandem Housings (each)	74.0 L (19.5 gal.)	74.0 L (19.5 gal.)	
Circle Gearbox	5.7 L (1.5 gal.)	5.7 L (1.5 gal.)	
Hydraulic Reservoir	60.5 L (16 gal.)	53.0 L (14 gal.)	
Operating Weights			
With Full Fuel Tank, 4.27-m x 686-mm x 25-mm (14 ft. x 27 in. x 1 in.) Moldboard			
With 203-mm x 19-mm (8 in. x 3/4 in.) Cutting Edges, 17.5R25 L2 Tires, and 79-kg (175 lb.) Operator			
	<i>EPA Final Tier 4/EU Stage V</i>	<i>EPA Tier 3/EU Stage IIIA</i>	
Front	5117 kg (11,281 lb.)	5126 kg (11,301 lb.)	
Rear	12 893 kg (28,425 lb.)	12 293 kg (27,101 lb.)	
Total	18 010 kg (39,706 lb.)	17 419 kg (38,402 lb.)	
Typical Operating Weight With Front Push Block, Rear Ripper/Scarifier, and Other Equipment			
Front	6552 kg (14,445 lb.)	6617 kg (14,587 lb.)	
Rear	15 062 kg (33,205 lb.)	14 255 kg (31,427 lb.)	
Total	21 614 kg (47,650 lb.)	20 872 kg (46,014 lb.)	
Maximum Operating Weight	24 948 kg (55,000 lb.)	24 948 kg (55,000 lb.)	

Images and descriptions are for general information only. Some illustrations may depict product options or accessories NOT AVAILABLE in all regions or may require modifications to meet local regulations. Images of equipment models may be digitally or AI generated, are for illustration purposes only, and may not reflect actual products, features, options, or attachments. Equipment availability may be limited. Net engine power is with standard equipment including air cleaner, exhaust system, alternator, and cooling fan at test conditions specified per ISO 9249. No derating is required up to 3050-m (10,000 ft.) altitude. Specifications and designs are subject to change without notice and, where applicable, are in accordance with SAE standards. Unless otherwise noted, specifications are based on a unit with standard equipment; 175 R 635-mm (25 in.) L2, Radial tires; and 4.27-m x 688-mm x 25-mm (14 ft. x 27 in. x 1 in.) high-strength, wear-resistant moldboard with 152-mm x 16-mm (6 in. x 5/8 in.) Dura-Max® through-hardened-steel cutting edges. Weights include lubricants, coolants, full fuel tank, and 79-kg (175 lb.) operator. For complete details, contact your John Deere dealer.

872 P-TIER

Option Weights	872 P-TIER
Moldboards With Through-Hardened Dura-Max Cutting Edge	
4.27 m x 686 mm x 25 mm (14 ft. x 27 in. x 1 in.) With 203-mm x 19-mm (8 in. x 3/4 in.) Cutting Edge and 19-mm (3/4 in.) Hardware	0 kg (0 lb.)
4.88 m x 686 mm x 25 mm (16 ft. x 27 in. x 1 in.) With 203-mm x 19-mm (8 in. x 3/4 in.) Cutting Edge and 19-mm (3/4 in.) Hardware	137 kg (302 lb.)
Extensions, 610 mm (2 ft.) (right or left)	
For Use With 686-mm (27 in.) Moldboards	120 kg (265 lb.)
Overlay End Bits, Reversible (one pair)	
For 152-mm (6 in.) Cutting Edge	19.5 kg (43 lb.)
For 203-mm (8 in.) Cutting Edge	23 kg (51 lb.)
Heavy-Duty Dual-Input Circle-Drive Gearbox	14 kg (31 lb.)
Circle-Drive Slip Clutch	9 kg (20 lb.)
Circle	
Standard	0 kg (0 lb.)
Premium	255 kg (562 lb.)
Moldboard Impact-Absorption System	43 kg (95 lb.)
Ripper/Scarifier, Rear Mounted With Hitch and Ripper Shanks (3)	1139 kg (2,510 lb.)
Scarifier Shanks With Teeth (9 for rear ripper/scarifier)	68 kg (150 lb.)
Ripper Shanks and Teeth (2)	63 kg (139 lb.)
Rear Counterweight With Integral Rear Hitch	727 kg (1,603 lb.)
Rear Hitch	54.4 kg (120 lb.)
Push Block, Front	1338 kg (2,950 lb.)
Scarifier	
Front Mount With Teeth (5)	831 kg (1,833 lb.)
Mid-Mount With Teeth (11)	1481 kg (3,265 lb.)
Front Lift Group (Balderson-style)	763 kg (1,682 lb.)

Option Weights (continued)	872 P-TIER
Front Dozer Blade	1110 kg (2,447 lb.)
Tires	
175-R25, Radial, L2 General Purpose	0 kg (0 lb.)
175-R25, Radial, G2/L2 Snow	43.5 kg (96 lb.)
175-R25, Radial, G3/L3 General Purpose	90 kg (198 lb.)
550/65R25 XLD70 G3/L3 Radial, General Purpose	444 kg (978 lb.)
20.5-R25, Radial, L2 Snow	414 kg (913 lb.)
20.5-R25, Radial, L2 General Purpose	474 kg (1,045 lb.)
Multi-Piece Rims	
356 mm x 635 mm (14 in. x 25 in.)	0 kg (0 lb.)
432 mm x 635 mm (17 in. x 25 in.)	46 kg (102 lb.)
Fenders	
Front	99 kg (218 lb.)
Rear	158 kg (348 lb.)
Opening Front and Side Windows	14.5 kg (32 lb.)
Premium Air-Suspension, Heated Seat With Adjustable Arm- and Headrests	13 kg (28 lb.)
Coolant Heater	4 kg (9 lb.)
Quick Service	11 kg (24 lb.)
Secondary Steering	26 kg (58 lb.)
Fire Extinguisher	14.5 kg (32 lb.)
Lighting Packages	
10 Halogen Lights	4.5 kg (10 lb.)
18 Halogen Lights	8 kg (18 lb.)
16 LED Premium With Front and Rear Extensions (EU/SV)	28 kg (62 lb.)
18 LED Lights	7 kg (16 lb.)
High-Front Light Bar for Snowplowing	20 kg (44 lb.)
Auxiliary Hydraulic Control Valve Section and Controls	7 kg (15 lb.)
Hydraulics for Front-Mounted Equipment	9 kg (19 lb.)

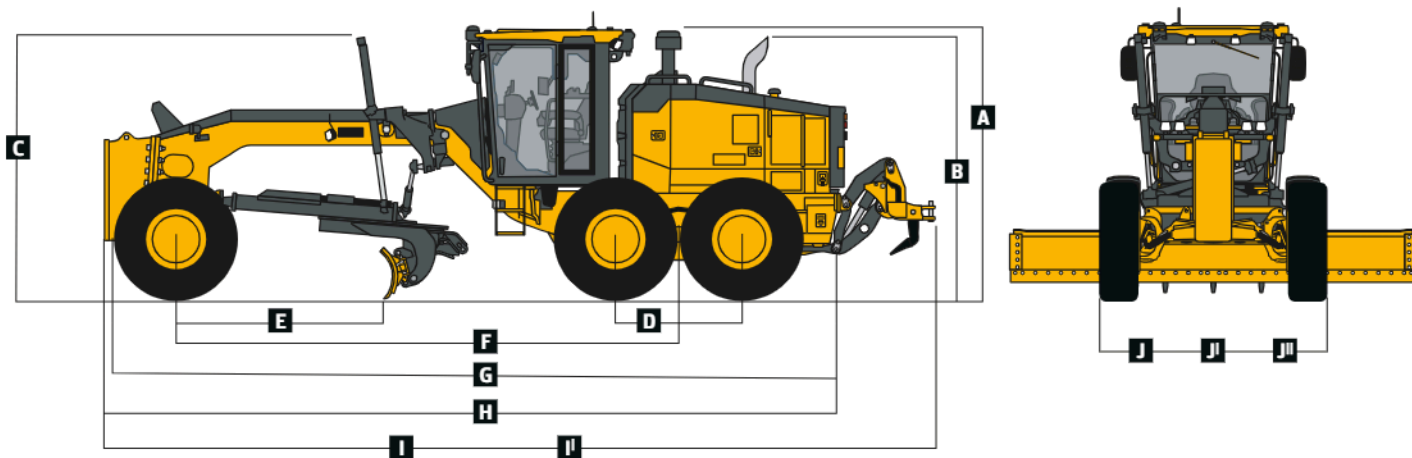
Images and descriptions are for general information only. Some illustrations may depict product options or accessories NOT AVAILABLE in all regions or may require modifications to meet local regulations. Images of equipment models may be digitally or AI generated, are for illustration purposes only, and may not reflect actual products, features, options, or attachments. Equipment availability may be limited. Net engine power is with standard equipment including air cleaner, exhaust system, alternator, and cooling fan at test conditions specified per ISO 9249. No derating is required up to 3050-m (10,000 ft.) altitude. Specifications and designs are subject to change without notice and, where applicable, are in accordance with SAE standards. Unless otherwise noted, specifications are based on a unit with standard equipment: 175 R 635-mm (25 in.) L2, Radial tires; and 4.27-m x 688-mm x 25-mm (14 ft. x 27 in. x 1 in.) high-strength, wear-resistant moldboard with 152-mm x 16-mm (6 in. x 5/8 in.) Dura-Max® through-hardened-steel cutting edges. Weights include lubricants, coolants, full fuel tank, and 79-kg (175 lb.) operator. For complete details, contact your John Deere dealer.

872 P-TIER

Machine Dimensions	872 P-TIER
A Height to Top of Cab	3.18 m (10 ft. 5 in.)
B Height to Top of Exhaust	3.13 m (10 ft. 3 in.)
C Height to Top of Blade-Lift Cylinders	3.05 m (10 ft. 0 in.)
D Tandem Axle Spacing	1.54 m (5 ft. 1 in.)
E Blade Base	2.53 m (8 ft. 4 in.)
F Wheelbase	6.16 m (20 ft. 3 in.)
G Overall Length	8.89 m (29 ft. 2 in.)
H Overall Length With Scarifier	9.69 m (31 ft. 9 in.)

Machine Dimensions (continued)	872 P-TIER
I Overall Width With Push Block and Ripper	9.99 m (32 ft. 9 in.)
I ^I Overall Length With Scarifier and Ripper	10.59 m (34 ft. 9 in.)
Overall Length With Front-Mounted Blade and Ripper	10.60 m (34 ft. 9 in.)
J Overall Width With 17.5-R25 Tires*	2.64 m (8 ft. 8 in.)
J ^I Overall Width With 550/65R25 Tires*	2.82 m (9 ft. 3 in.)
J ^{II} Overall Width With 20.5-R25 Tires*	2.80 m (9 ft. 2 in.)

*Also see Tires/Wheels on page 9.



Images and descriptions are for general information only. Some illustrations may depict product options or accessories NOT AVAILABLE in all regions or may require modifications to meet local regulations. Images of equipment models may be digitally or AI generated, are for illustration purposes only, and may not reflect actual products, features, options, or attachments. Equipment availability may be limited. Net engine power is with standard equipment including air cleaner, exhaust system, alternator, and cooling fan at test conditions specified per ISO 9249. No derating is required up to 3050-m (10,000 ft.) altitude. Specifications and designs are subject to change without notice and, where applicable, are in accordance with SAE standards. Unless otherwise noted, specifications are based on a unit with standard equipment; 175 R 635-mm (25 in.) L2, Radial tires; and 4.27-m x 688-mm x 25-mm (14 ft. x 27 in. x 1 in.) high-strength, wear-resistant moldboard with 152-mm x 16-mm (6 in. x 5/8 in.) Dura-Max® through-hardened-steel cutting edges. Weights include lubricants, coolants, full fuel tank, and 79-kg (175 lb.) operator. For complete details, contact your John Deere dealer.




MG872PAU (25-11)

 **JOHN DEERE**