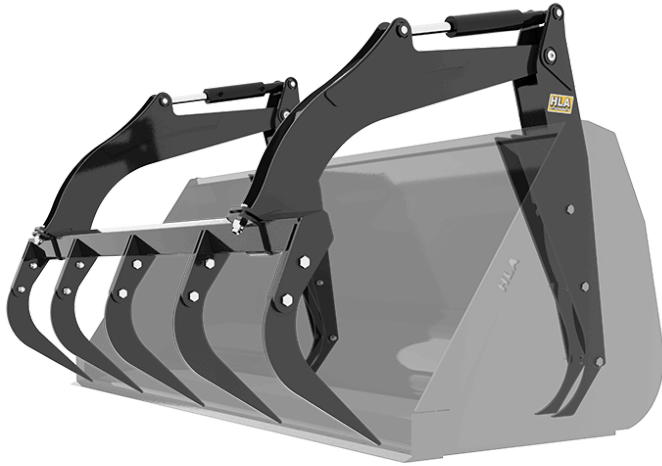


# Extra Large Utility Grapple



- Can be fitted to THMBHV & THMBHVX buckets
- Specific heavy duty design for handling large round and square bales
- Opens up to 72"
- Removable / bolt-on mounting posts
- Accommodates 6ft round bales

Part Number	Description	WIDTH (INCHES)	APPROX. WEIGHT LBS.
GRX84	84" Grapple Only To Fit 96" Fork Or Bucket c/w Cylinders	84	775
GRX96	96" Grapple Only To Fit 108" Fork Or Bucket c/w Cylinders	96	810
HK90	Optional 90" Hose Kit c/w Flat Faced Couplers		
HK9090	Optional 90" Hose Kit c/w 90° Flat Faced Couplers		

<http://hlaattachments.com/item.php?prod=303>

1.866.567.4162